






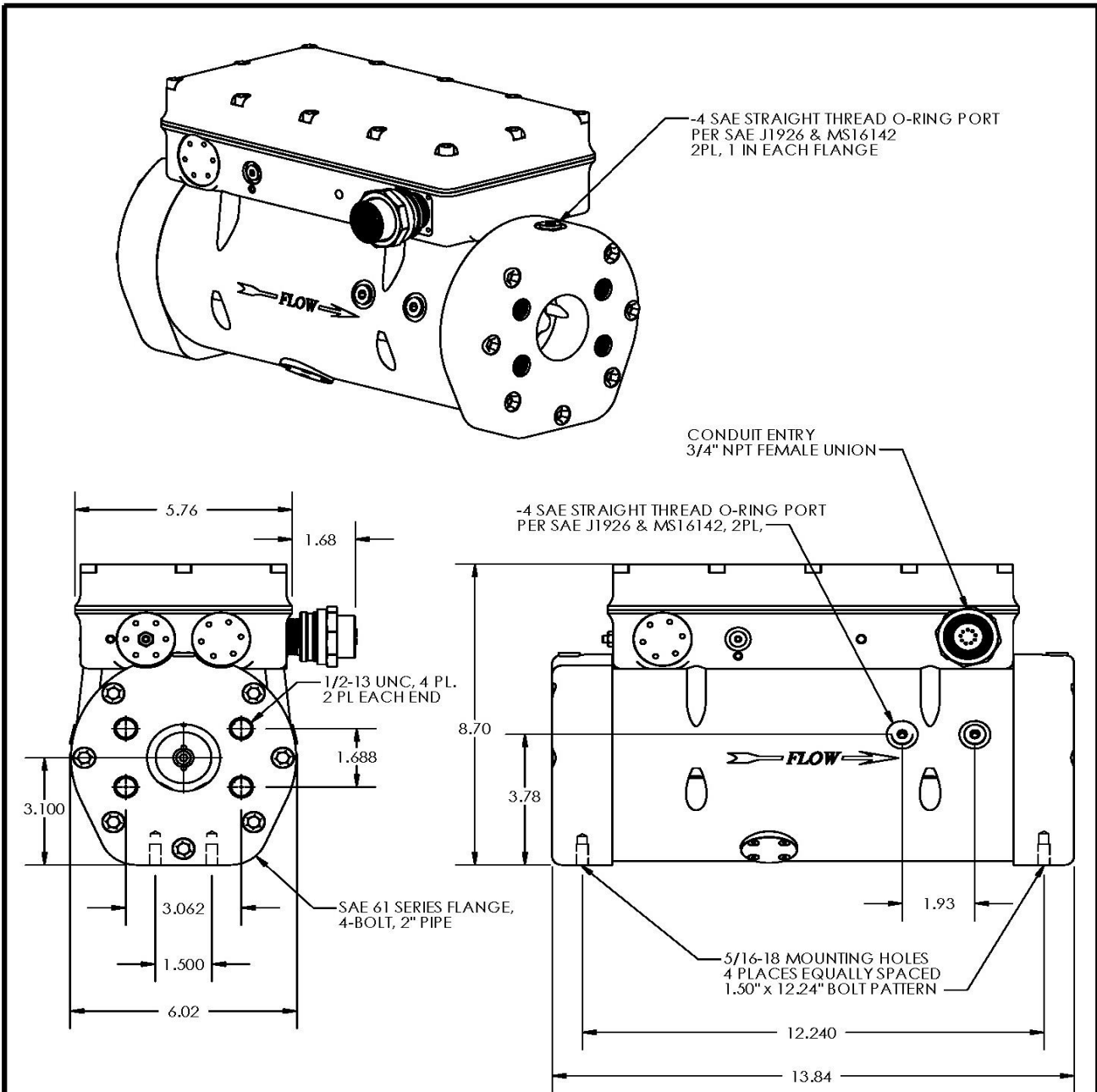


Flow Control Valve Model AGV50 Specifications

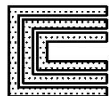
Flow Capacity:	7,300 scfm (26,176 lbs/hr)
Fuel:	Natural Gas, Gaseous Hydrocarbons (Wellhead & Biogas)
Applications:	Up to 34.0 MW (45,594 horsepower)
Maximum Operating Pressure:	500 psig
Filtration Requirement:	10-20 Micron Absolute
External Pilot Filtration Requirement:	0.01 Micron Absolute
Operating Temperature:	-40° C (-40° F) to +85° C (+185° F) -20° C (-4° F) to +85° C (+185° F) [ATEX]
Response Time:	98 ±10 milliseconds 10% - 90% Stroke
Flow Accuracy:	±3.0% of reading or 0.5 % of full scale
Fuel Demand Signal [to Fuel Control Valve]:	4-20 mA (Standard); 0-50 mA (Optional) 0-200 mA (Optional)
Fuel Feedback Signal [from Fuel Control Valve]:	4-20 mA (Standard)
Power Input:	19-30 Vdc (1.0 Amp Maximum)
Electrical Interface:	26pin Canon Connector (Optional) 3/4" Ridged Conduit, 84" Pigtail Wires
Communication Interface:	RS485 Serial Port
Housing Materials:	6061-T6 Anodized Aluminum
Wetted Materials:	Stainless Steel, Carbon Steel, 6061-T6 Anodized Aluminum, Viton® Seals, Nitrile Seals
Flanges:	2" SAE Series 61, 4-Bolt Flange
Dimensions:	13.8" L x 8.7" H x 7.7" W 15.8" L x 8.7" H x 7.7" W (AGV50 Pilot Valve)
Approximate Weight:	44.20 pounds 48.30 pounds (AGV50 Pilot Valve)
Certifications:	 Class I, Division 1, 2, Group D: T4  Pressure Equipment Directive (PED)  II 2 G Ex d IIA T4 Gb  CE 0344  UKCA 8505  CE 0036  UKCA 0168



Flow Control Valve Model AGV50 Envelope



CONTINENTAL
CONTROLS
CORPORATION

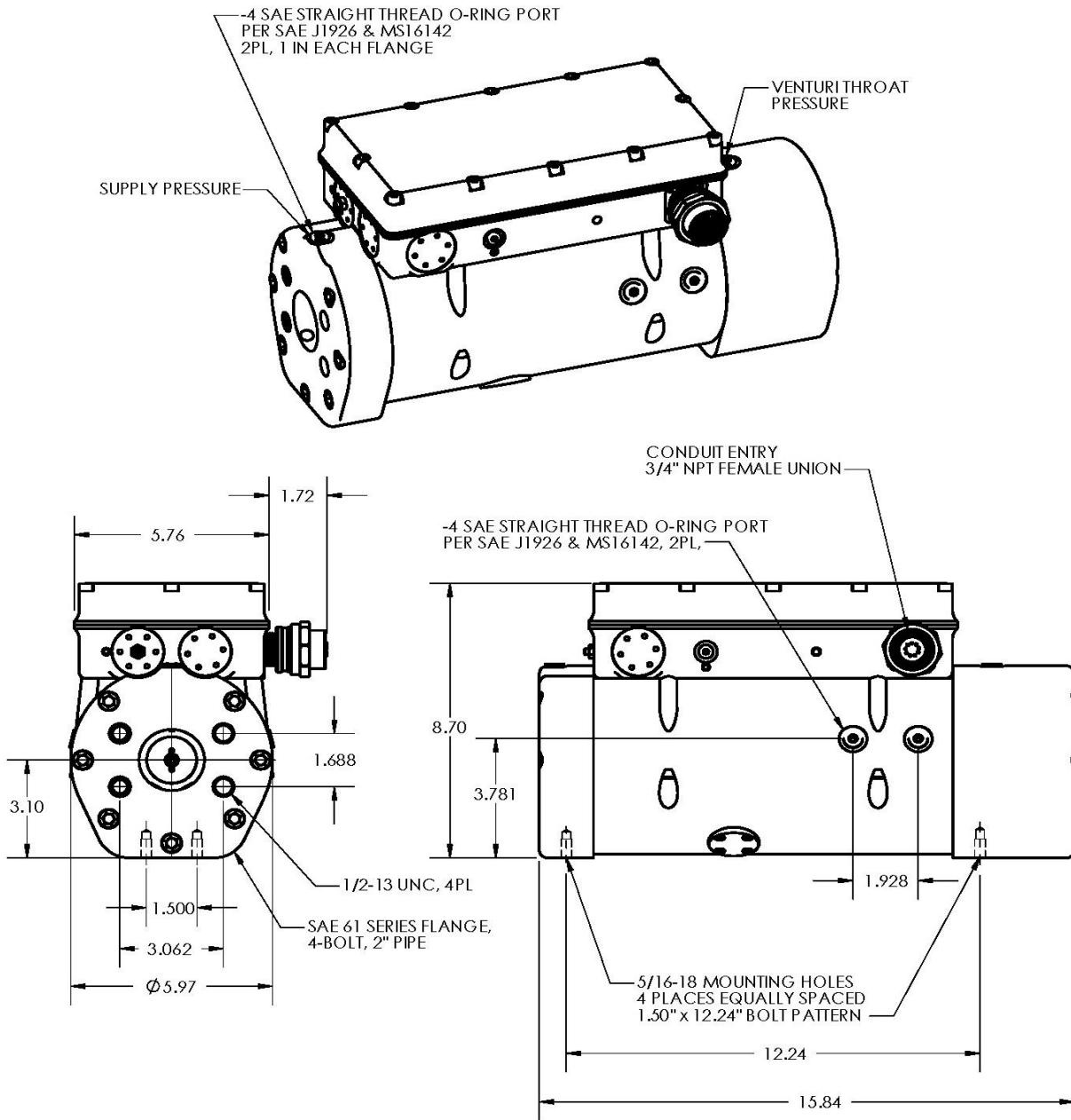


AGV50 GAS METERING VALVE
ENVELOPE DRAWING, 2" 4-BOLT FLANGE

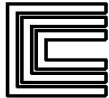
CONTINENTAL CONTROLS CORPORATION
7710 KENAMAR COURT,
SAN DIEGO, CALIFORNIA 92121 USA
PHONE (619)453-9880 FAX (619)453-5078



Flow Control Valve Model AGV50 Pilot Valve Envelope



CONTINENTAL
CONTROLS
CORPORATION



AGV50 PILOT GAS METERING VALVE
ENVELOPE DRAWING, 2" 4-BOLT FLANGE

CONTINENTAL CONTROLS CORPORATION
7710 KENAMAR COURT,
SAN DIEGO, CALIFORNIA 92121 USA
PHONE (858)453-9880 FAX (858)453-5078